

# TIE-CLIP MICROPHONE

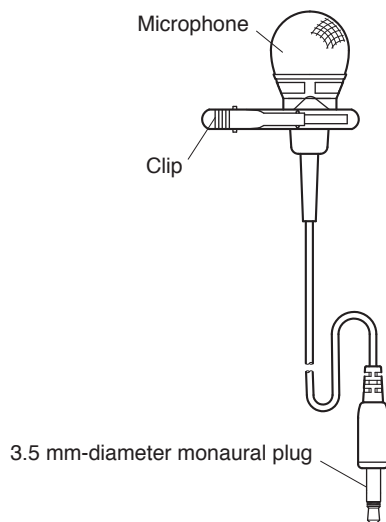
# YP-M101

Thank you for purchasing TOA's Tie-Clip Microphone.  
Please carefully follow the instructions in this manual to ensure long, trouble-free use of your equipment.

## 1. GENERAL DESCRIPTION

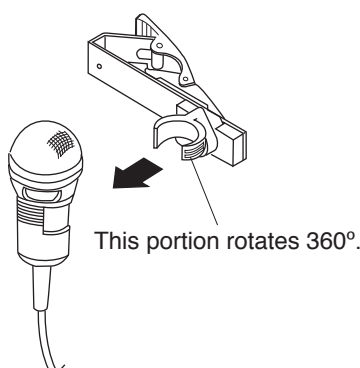
The YP-M101 is a tie-clip type microphone designed to be exclusively used with an optional WM-1100 Portable Transmitter.

## 2. NOMENCLATURE



## 3. CLIP ATTACHMENT

Attach the supplied clip as shown in the figure.



## 4. HOW TO USE

- Keep the microphone 15 – 20 cm away from the mouth when using.
- Take care not to speak loud or position the microphone too close (within 5 cm) to the mouth, because this could muffle sounds and make them inaudible.

## 5. SPECIFICATIONS

Type	Electret condenser type
Directivity	Unidirectional
Sensitivity	-46 dB (0 dB=1 V/Pa, 1 kHz, load: 2 kΩ)
Maximum Input Sound Pressure	115 dB SPL
Terminal	ø3.5 mm monaural plug
Cord Length	80 cm
Finish	Dark gray
Weight	20 g (cable included)

**Note:** The design and specifications are subject to change without notice for improvement.

### • Accessory

Clip ..... 1